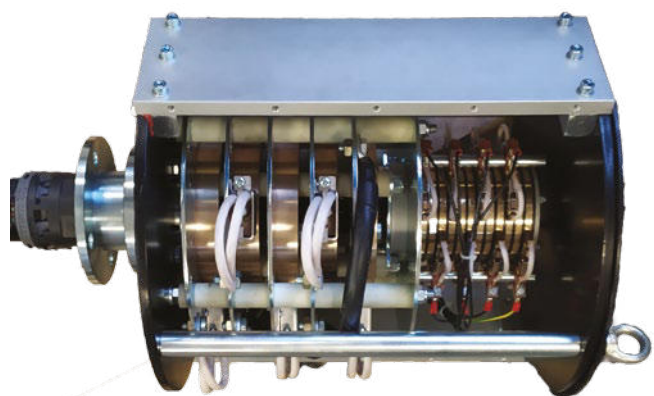


# PEGASUS

## Slip ring collector



Slip ring collectors designed to transfer AC/DC current from a fixed supply point to a rotating structure, transmitting power and control signals, both analogue and digital, to mobile units. Thanks to the high degree of customization, they are used in a variety of industrial sectors, on cranes, rides, packaging plants.

### FEATURES

- Suitable for data and control applications.
- They support the major high speed data transmission and industrial bus system protocols.
- High quality materials and components guarantee reliability and durability.
- IP protection degree: Pegasus are classified up to max. IP 65.

### OPTIONS

- High degree of customization thanks to a fully modular construction system.
- Different assemblies available for low voltage.
- On request, they can be equipped with hydraulic couplings.

### CERTIFICATIONS

- CE and UKCA markings

*Fill in the "request form" for accurate product configuration.*

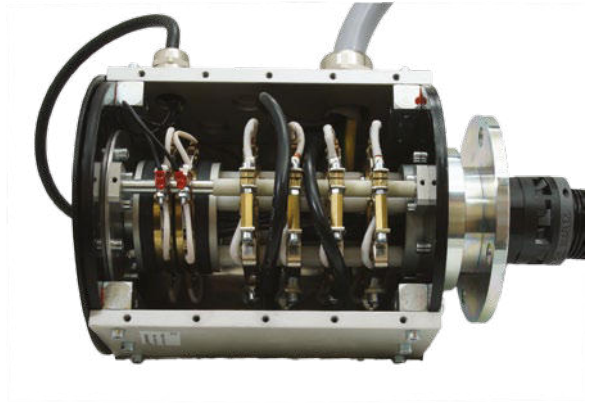
## PEGASUS 200A

Slip ring collector consisting of power rings and golden or silver signal rings.

Suitable for the major high speed data transmission protocols: Ethernet CAT5, ProfiBus, ProfiNet, LAN, CAN Bus, CANOpen.

Suitable for optical fiber.

Sturdy and reliable thanks to high quality materials and components which guarantee durability and low maintenance.



### CERTIFICATIONS

<b>Conformity to Community Directives</b>	2014/35/UE Low Voltage Directive
	2006/42/CE Machinery Directive
<b>Conformity to UKCA Directives</b>	Supply of Machinery (Safety) Regulations 2008
	Electrical Equipment (Safety) Regulations 2016
<b>Conformity to CE Standards</b>	EN 60204-1 Safety of machinery - Electrical equipment of machines
	EN 60309-1 Plugs, socket-outlets and couplers for industrial purposes - General requirements
	EN 60529 Degrees of protection provided by enclosures
<b>Markings and homologations</b>	CE UK

### GENERAL TECHNICAL SPECIFICATIONS

<b>Ambient temperature</b>	Storage +10°C/+50°C
	Operational -25°C/+70°C
<b>IP protection degree</b>	IP 54
<b>Insulation category</b>	Class I
<b>Operating positions</b>	Any position
<b>Cable entry</b>	Depending on the request

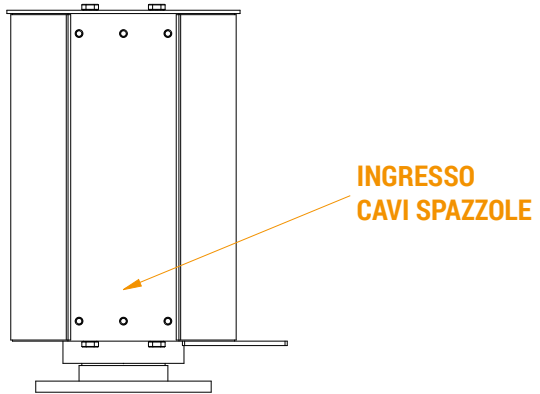
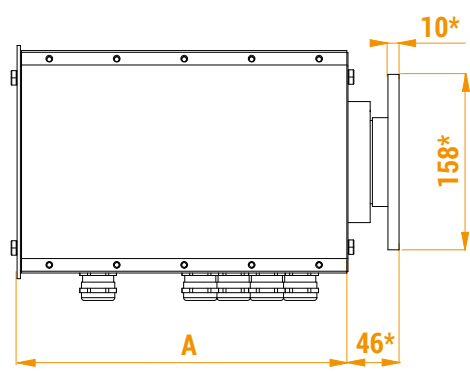
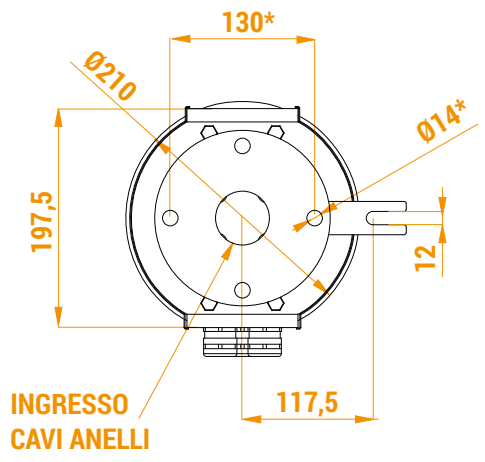
### ELECTRICAL SPECIFICATIONS

<b>Rated operational current</b>	Up to 200 A
<b>Rated operational voltage</b>	Up to 680 Vac
<b>Maximum speed</b>	30 rev./min.
<b>Suitable for transferring DC current</b>	Yes

# TRANSMISSION PROTOCOL SPECIFICATIONS

Data transmission protocol	Ethernet CAT 5
	ProfiBus
	ProfiNet
	LAN
	CAN-Bus
Maximum speed	CANOpen
	100 Mbit/s

## OVERALL DIMENSIONS (mm)



A = Dimension vary depending on the type and number of rings.  
 \* The flange can be modified on customer's request.  
 Overall dimensions may vary compared to the drawing.

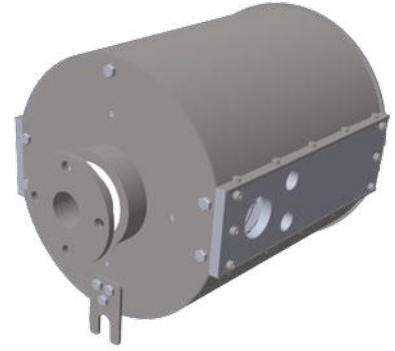
## PEGASUS 400A

Slip ring collector consisting of power rings and golden or silver signal rings.

Suitable for the major high speed data transmission protocols:  
Ethernet CAT5, ProfiBus, ProfiNet, LAN, CAN Bus, CANOpen.

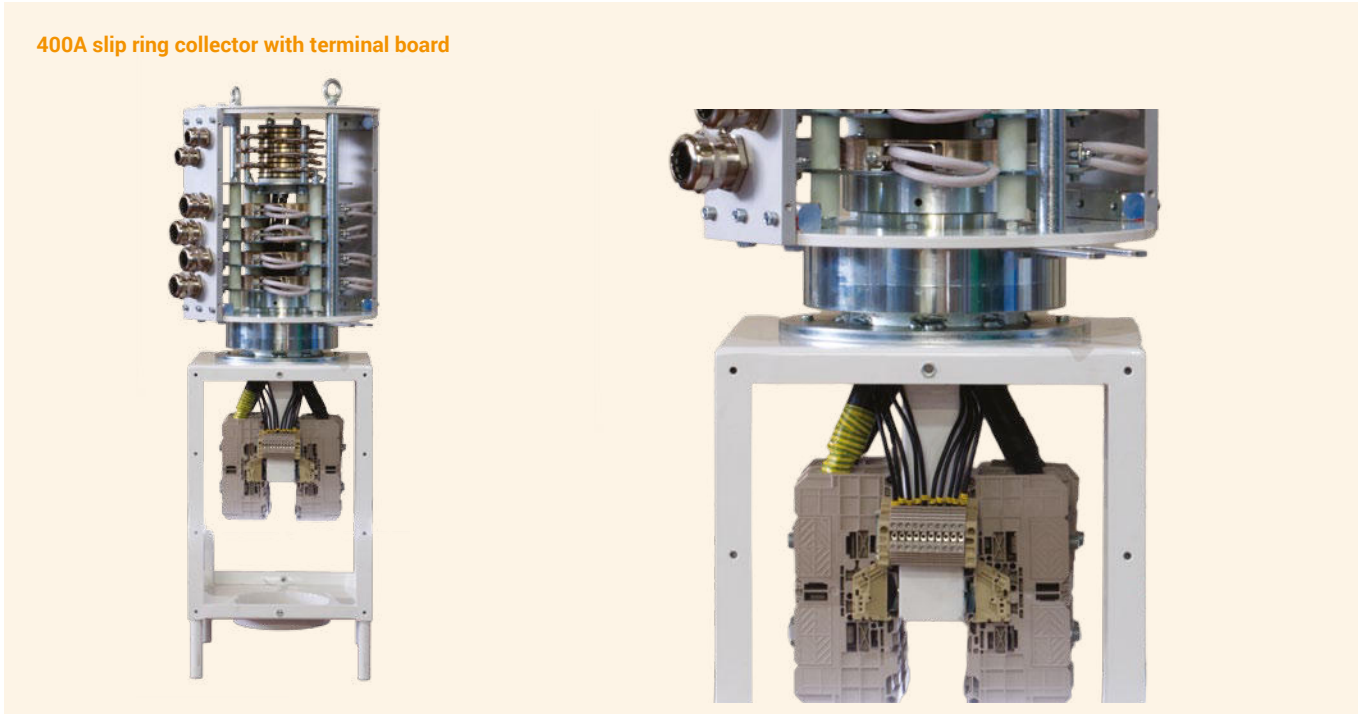
Suitable for optical fiber.

Sturdy and reliable thanks to high quality materials and components which guarantee durability and low maintenance.



### POSSIBLE ASSEMBLY

400A slip ring collector with terminal board



400A electro-fluidic slip ring collector



## CERTIFICATIONS

Conformity to Community Directives	2014/35/UE Low Voltage Directive
	2006/42/CE Machinery Directive
Conformity to UKCA Directives	Supply of Machinery (Safety) Regulations 2008
	Electrical Equipment (Safety) Regulations 2016
Conformity to CE Standards	EN 60204-1 Safety of machinery - Electrical equipment of machines
	EN 60309-1 Plugs, socket-outlets and couplers for industrial purposes - General requirements
	EN 60529 Degrees of protection provided by enclosures
Markings and homologations	CE UKCA

## GENERAL TECHNICAL SPECIFICATIONS

Ambient temperature	Storage +10°C/+50°C
	Operational -25°C/+70°C
IP protection degree	IP 54
Insulation category	Class I
Operating positions	Any position
Cable entry	Depending on the request

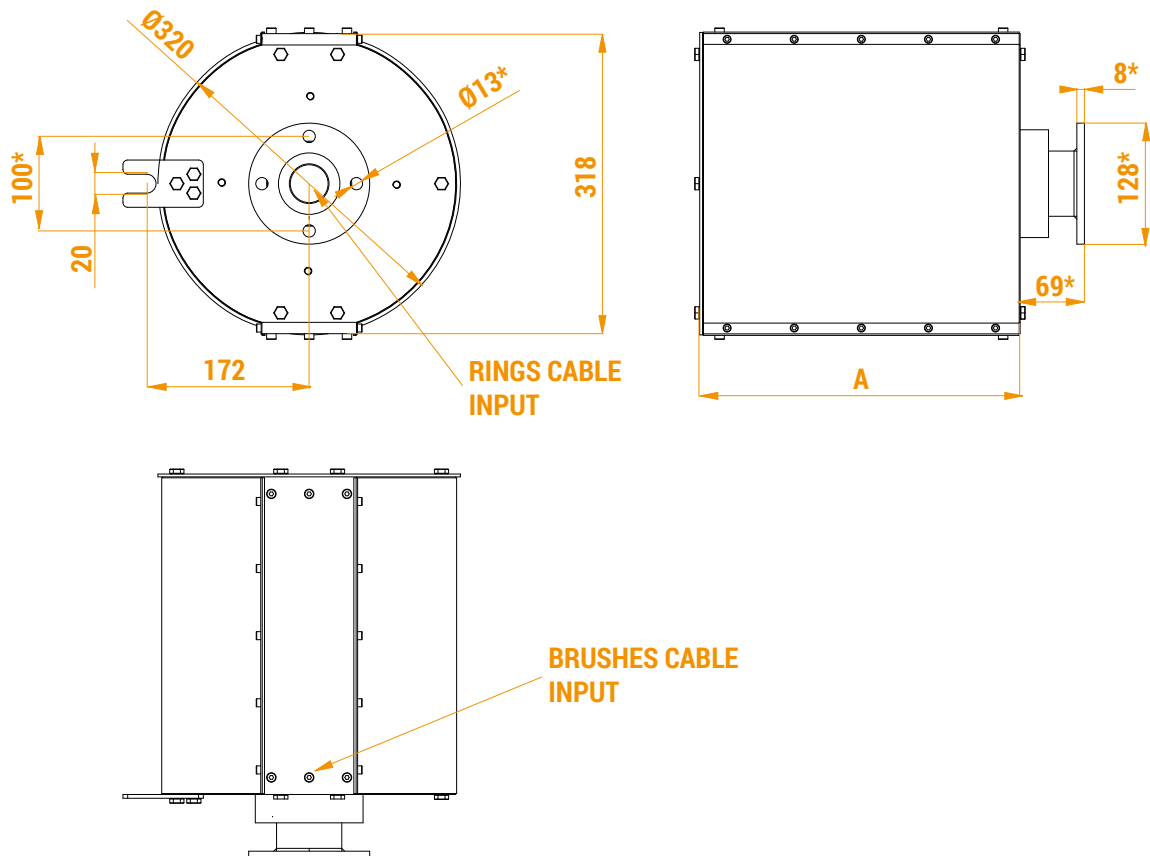
## ELECTRICAL SPECIFICATIONS

Rated operational current	Up to 400 A
Rated operational voltage	Up to 680 Vac
Maximum speed	30 rev./min.
Suitable for transferring DC current	Yes

## TRANSMISSION PROTOCOL SPECIFICATIONS

Data transmission protocol	Ethernet CAT 5
	ProfiBus
	ProfiNet
	LAN
	CAN-Bus
Maximum speed	CANOpen
	100 Mbit/s

## OVERALL DIMENSIONS (mm)



A = Dimension vary depending on the type and number of rings.

\* The flange can be modified on customer's request.

Overall dimensions may vary compared to the drawing.

## PEGASUS 650A

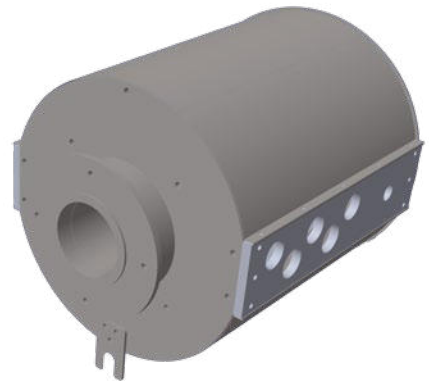
Slip ring collector consisting of power rings and golden or silver signal rings.

Suitable for the major high speed data transmission protocols:

Ethernet CAT5, ProfiBus, ProfiNet, LAN, CAN Bus, CANOpen.

Suitable for optical fiber.

Sturdy and reliable thanks to high quality materials and components which guarantee durability and low maintenance.



## CERTIFICATIONS

Conformity to Community Directives	2014/35/UE Low Voltage Directive
	2006/42/CE Machinery Directive
Conformity to UKCA Directives	Supply of Machinery (Safety) Regulations 2008
	Electrical Equipment (Safety) Regulations 2016
Conformity to CE Standards	EN 60204-1 Safety of machinery - Electrical equipment of machines
	EN 60309-1 Plugs, socket-outlets and couplers for industrial purposes - General requirements
	EN 60529 Degrees of protection provided by enclosures
Markings and homologations	CE UKCA

## GENERAL TECHNICAL SPECIFICATIONS

Ambient temperature	Storage +10°C/+50°C Operational -25°C/+70°C
IP protection degree	IP 54
Insulation category	Class I
Operating positions	Any position
Cable entry	Depending on the request

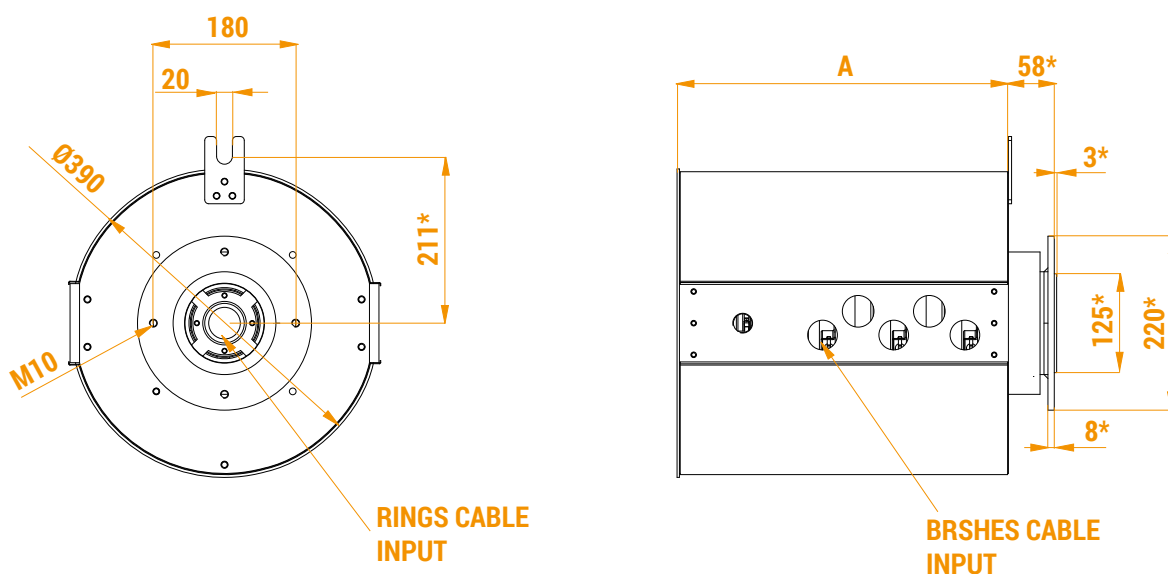
## ELECTRICAL SPECIFICATIONS

Rated operational current	Up to 650 A
Rated operational voltage	Up to 680 Vac
Maximum speed	30 rev./min.
Suitable for transferring DC current	Yes

## TRANSMISSION PROTOCOL SPECIFICATIONS

Data transmission protocol	Ethernet CAT 5
	ProfiBus
	ProfiNet
	LAN
	CAN-Bus
Maximum speed	CANOpen 100 Mbit/s

## OVERALL DIMENSIONS (mm)



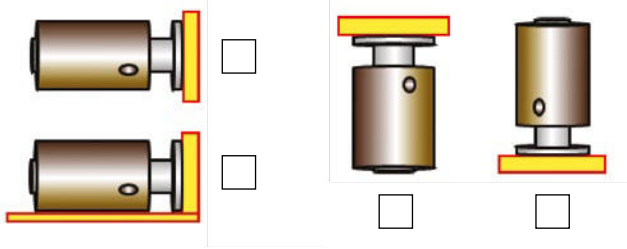
A = Dimension vary depending on the type and number of rings.

\* The flange can be modified on customer's request.

Overall dimensions may vary compared to the drawing.

# PEGASUS - REQUEST FORM FOR SLIP RING COLLECTOR

## Installation



## Rings

Ground	Ampère	Volt	mm <sup>2</sup>	Mat.**
N. of rings _____	_____	_____	_____	_____
N. of rings _____	_____	_____	_____	_____
N. of rings _____	_____	_____	_____	_____

Power	Ampère	Volt	mm <sup>2</sup>	Mat.**
N. of rings _____	_____	_____	_____	_____
N. of rings _____	_____	_____	_____	_____
N. of rings _____	_____	_____	_____	_____
N. of rings _____	_____	_____	_____	_____
N. of rings _____	_____	_____	_____	_____
N. of rings _____	_____	_____	_____	_____

Signals	Ampère	Volt	mm <sup>2</sup>	Bus*	Mat.**
N. of rings _____	_____	_____	_____	_____	_____
N. of rings _____	_____	_____	_____	_____	_____
N. of rings _____	_____	_____	_____	_____	_____
N. of rings _____	_____	_____	_____	_____	_____

**Total rings** \_\_\_\_\_ (Ground+Power)

## Fluids

1	∅ in _____	∅ out _____	P _____	Fluid _____
2	∅ in _____	∅ out _____	P _____	Fluid _____
3	∅ in _____	∅ out _____	P _____	Fluid _____
4	∅ in _____	∅ out _____	P _____	Fluid _____

## Options, requests

---



---



---



---



---



---



---



---



---



---

## Specifications

**Rotation** Continous  Intermittent  Static use

**Rotating part** Rings  Brushes

**Max. rotation speed** \_\_\_\_\_ (rpm)

**Duty cycle** \_\_\_\_\_

**IP degree** \_\_\_\_\_

**Operational temperature °C from \ to** \_\_\_\_\_

**Storage temperature °C from \ to** \_\_\_\_\_

**Inner diameter** Blind  Through ∅ mm

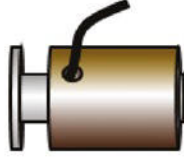
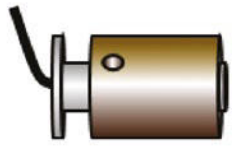
**Anticondensation resistance**

## Wiring

**Terminal board only, no cables** Yes  No

**Supplied with cables** Yes  No

**If YES, fill in the following section**

**Brushes side** or  **Rings side**

Brushes side \_\_\_\_\_ (m) **Cables lenght** \_\_\_\_\_ (m)

\_\_\_\_\_ (m) **Sheath** \_\_\_\_\_ (m)

**UL cables** Yes  No

**Connections**

Rings directly  Terminal board  Connectors

## Additional data

**Quantity** \_\_\_\_\_

**Quantity per year** \_\_\_\_\_

## Remarks

---



---



---

\* Bus  
 50) Ethernet      51) Profibus      52) Profinet  
 53) CANBus      54) CANOpen

\*\* Ring | Brush material  
 01) BZ      02) Au      03) Ag      04) BZ-Ag  
 20) Metal Graphite      21) Ag-Graphite